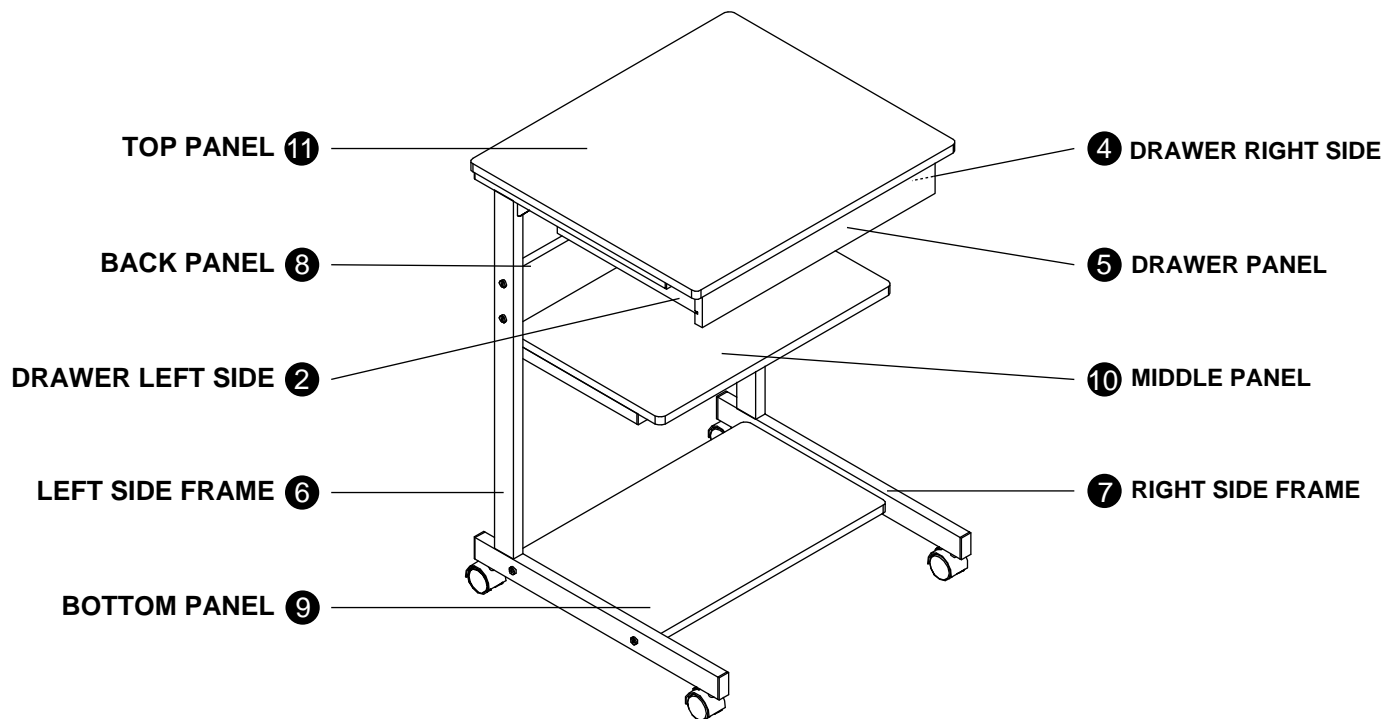


ASSEMBLY INSTRUCTIONS




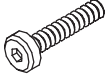
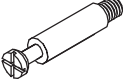
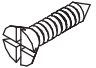


RTA-B018

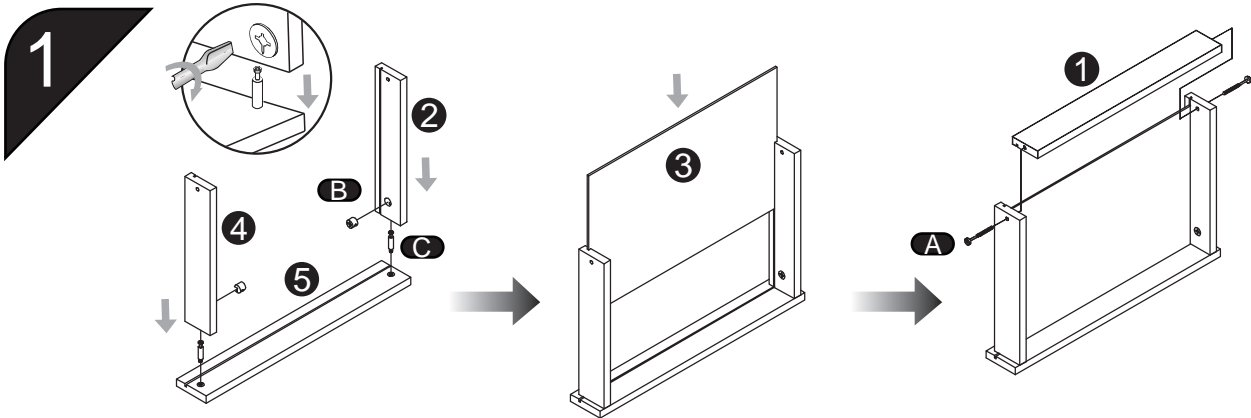


PART	QTY	ITEM
1	1	DRAWER BACK PANEL
2	1	DRAWER LEFT SIDE
3	1	DRAWER BTTOM PANEL
4	1	DRAWER RIGHT SIDE
5	1	DRAWER PANEL
6	1	LEFT SIDE FRAME

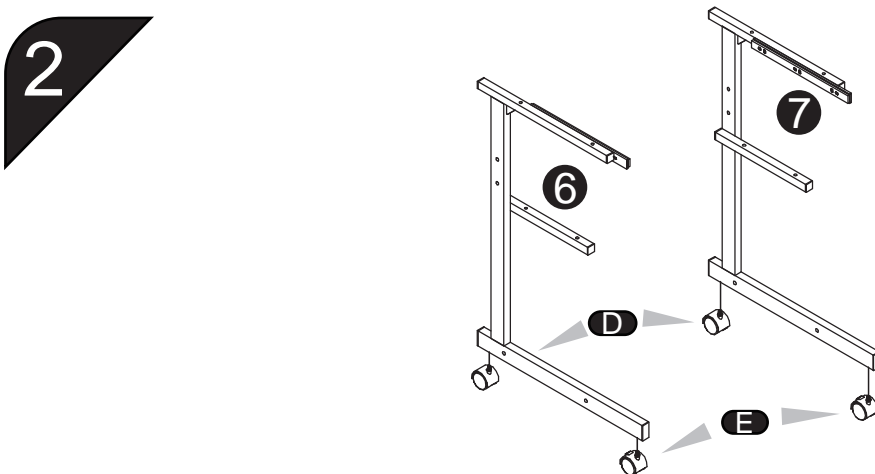
PART	QTY	ITEM
7	1	RIGHT SIDE FRAME
8	1	BACK PANEL
9	1	BOTTOM PANEL
10	1	MIDDLE PANEL
11	1	TOP PANEL

Attention: Do not tighten the screws until all screws are in place.

PART	QTY.	ITEM		PART	QTY.	ITEM	
A	10	M5x60		E	2	CASTER W/LOCK	
B	2	CAM LOCK		F	8	M6x30	
C	2	CAM BOLT		G	4	M4x12	
D	2	CASTER				TOOLS	

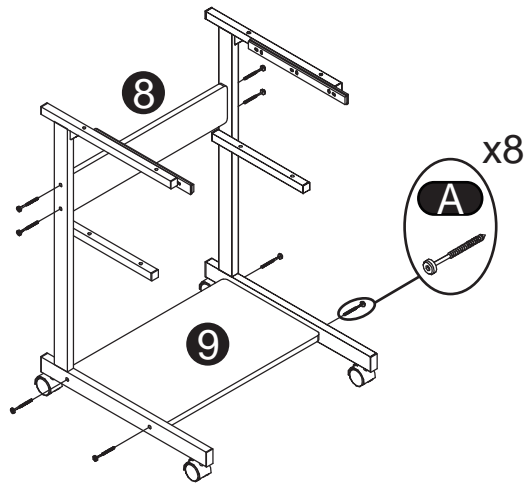


Utility drawer assembly. Take panels #2 and #4 and connect them with panel #5 using cam bolt #C and tighten with cam lock #B. Then take drawer bottom panel #3 and insert it thru the side channel of both panels #2 and #4. Take panel #1 and attach it drawer frame with screws A.



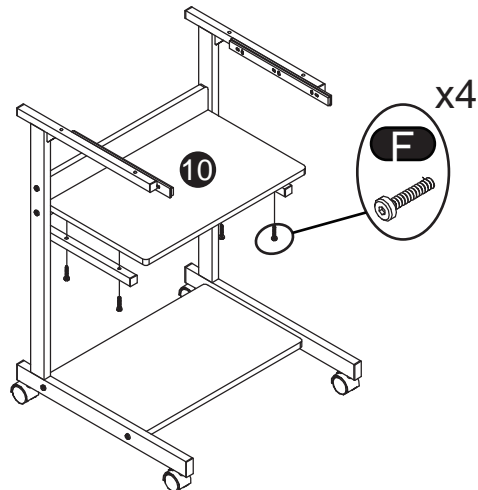
Insert casters into left frame #6 and right frame #7. Place locking caster #E at the front and standard caster #D at the back.

3



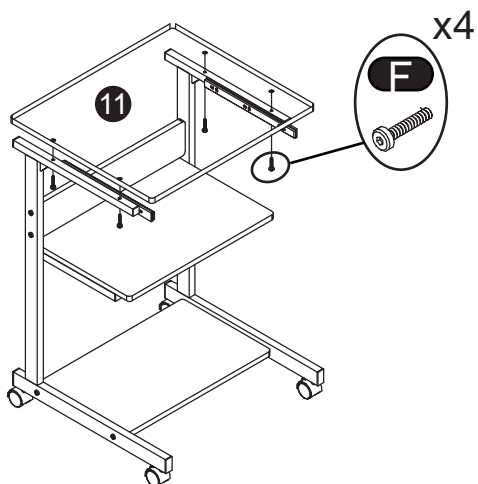
Connect both metal frames using back panel #8 and bottom panel #9 with screws #A.

4



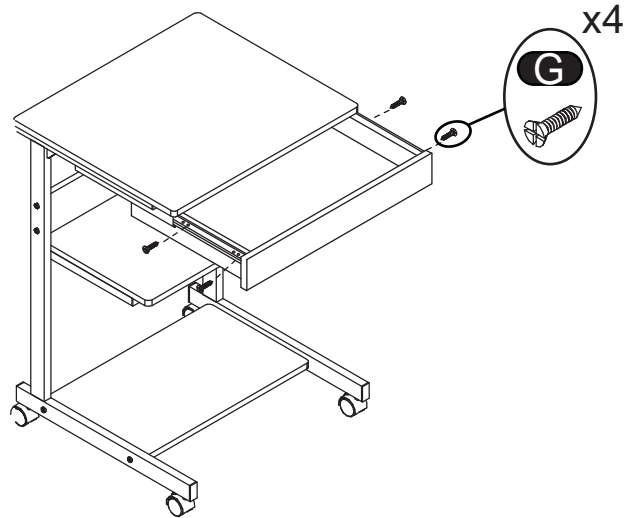
Attach shelf #10 to the metal frame with screws F.

5



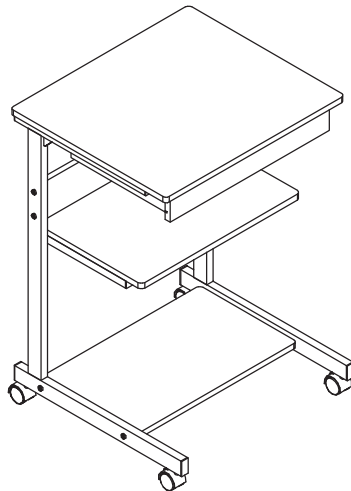
Place main desk panel #11 on top of metal frame and attach it with screws #F.

6



Install utility drawer by attaching it to both pre-installed metal guides by using screws #G.

7



Your desk is completely assembled

**DO NOT RETURN YOUR UNIT TO THE RETAILER
CONTACT US FIRST**

WWW.RTAPRODUCTS.COM

1-866-782-8262

For immediate help with assembly, products information,
call our toll-free number. You may also contact us by email to:

warranty@rtaproducts.com . **If you need to order replacement
parts, please log on to our website and complete the section
NEED REPLACEMENT PARTS? .**

**NO DEVUELVA EL PRODUCTO A LA TIENDA
CONTACTENOS ANTES DE HACERLO**

WWW.RTAPRODUCTS.COM

1-866-782-8262

En caso de necesideltar ayuda con el ensamblaje, informacion
producto, comunicarse por telefono. Tambien nos puede contactar
por correo electronico a warranty@rtaproducts.com .

**Si necesita
pedir partes, favor de visitar nuestra pagina y completar la seccion
NEED REPLACEMENT PARTS?**