

# MULTI-FUNCTIONAL COMPUTER TABLE

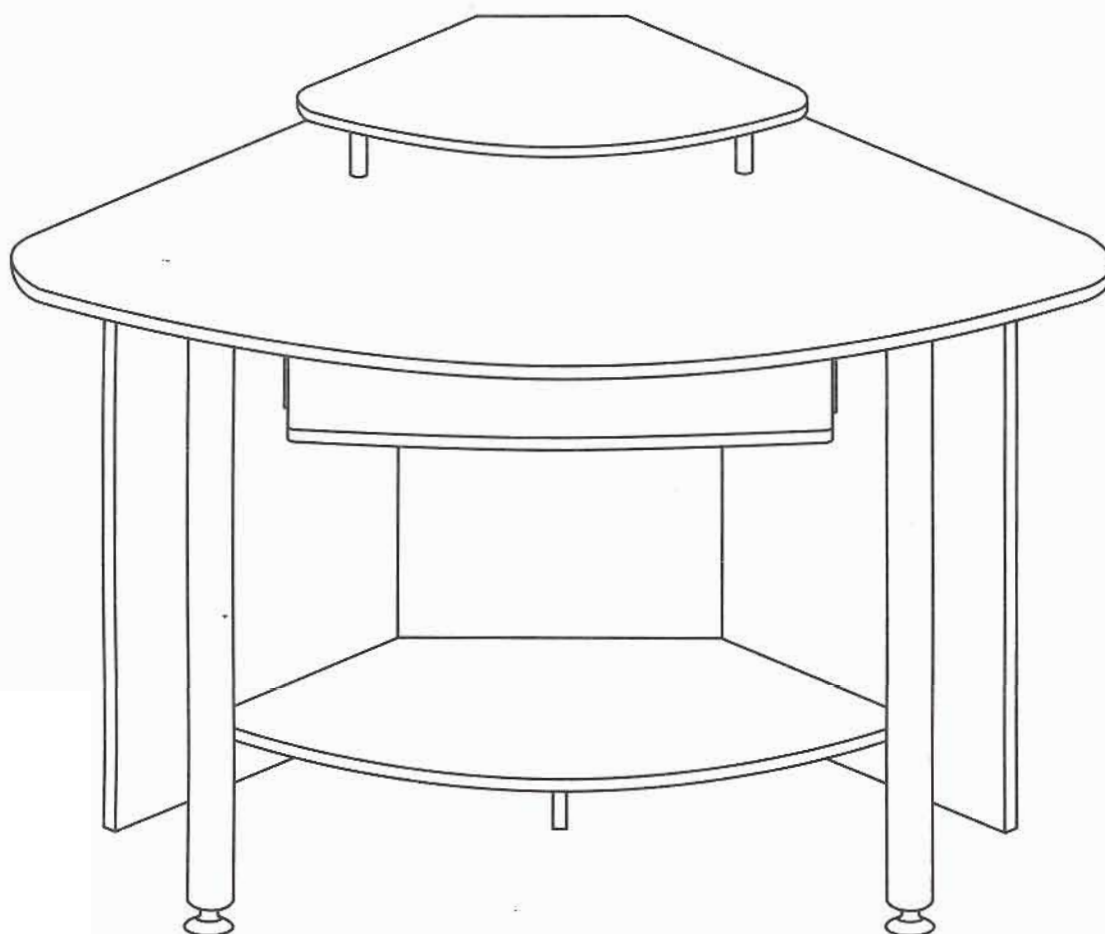
## ASSEMBLY INSTRUCTION

**TECHNI**  
**MOBILI**

**IMPORTANT:** Surfaces must be cleaned with a solution of a smooth soap and water, then cleared with a dry towel. Do not use solvents over surfaces or structural tubes.

**MODEL RTA - KB15P**

In case of assistance please call our toll free customer service number 1866 RTA8262 or 1866 7828262



**MODEL RTA-KB15P**

**RTA PRODUCTS LLC**



## Steps:

*Note: When you insert the Clam Bolts E in the following steps, make sure the screw inside the hole is aligned and after is inserted tight the corresponding screw in the inside face of the panel to secure the bolt in its place.*

1. Use Bolt E to assemble the Bottom Supporting Panel (4) with the Bottom Panel (3).
2. Use Bolt E to assemble the Bottom Panel (3) with the Right Panel (2). Note the orientation according to the next steps.
3. Use Bolt E to fix the other side of the Bottom Panel (3) to the Left Panel (1).
4. Use screws C to fix the Slider Holders (9) to the Main Panel (10).
5. Use screws D to fix Sliders (8) to the back side of Keyboard Panel (7).
6. Use screws B to fix the Sliders (8) to Slider Holders (9).
7. Use Bolt E to assemble the Unit finished in step 3 to Mail Panel (10).
8. Insert Studs (6) to the Legs (5) and tight them.
9. Use screws D to assemble the Legs (5) to Main Panel (10).
10. Use screws A to assemble the Holding Tubes (12) to the Monitor Panel (11).
11. Use screws F to assemble Holding Tubes (12) with Monitor Panel (11) to the Main Panel (10).
12. Tight well all screws and enjoy your unit.

Thanks for purchasing one of our products, please read carefully the assembly instructions before the installation (Attention: Do not tighten the screws before all screws are in place).



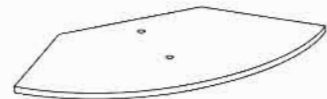
Left Panel

1



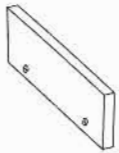
Right Panel

2



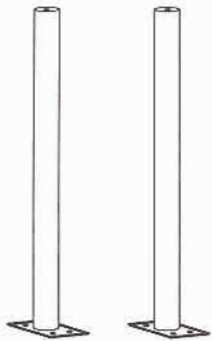
Bottom Panel

3



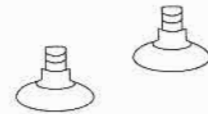
Bottom Supporting Panel

4



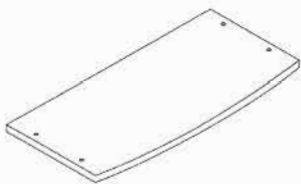
Legs

5



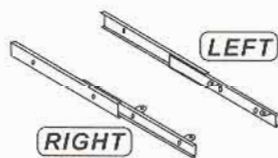
Studs

6



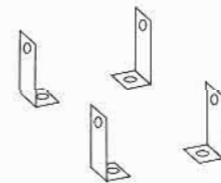
Keyboard Panel

7



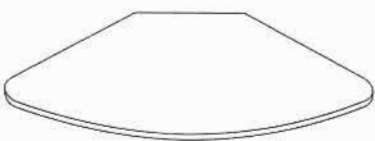
Sliders

8



Slider Holder

9



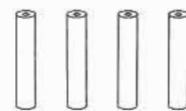
Main Panel

10



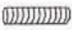
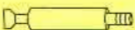
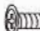

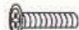


Monitor Panel

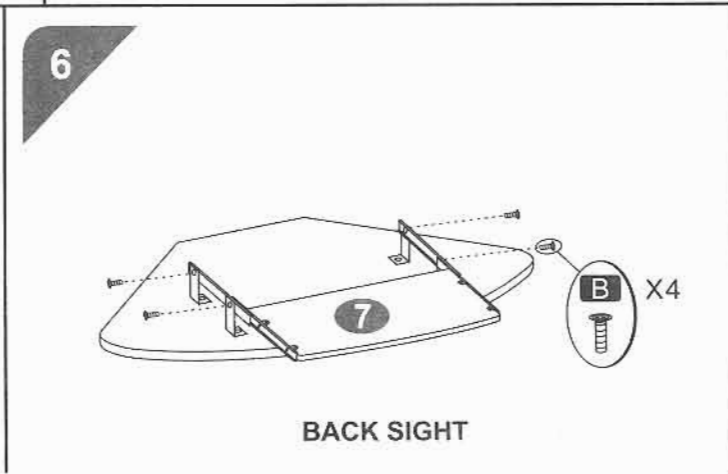
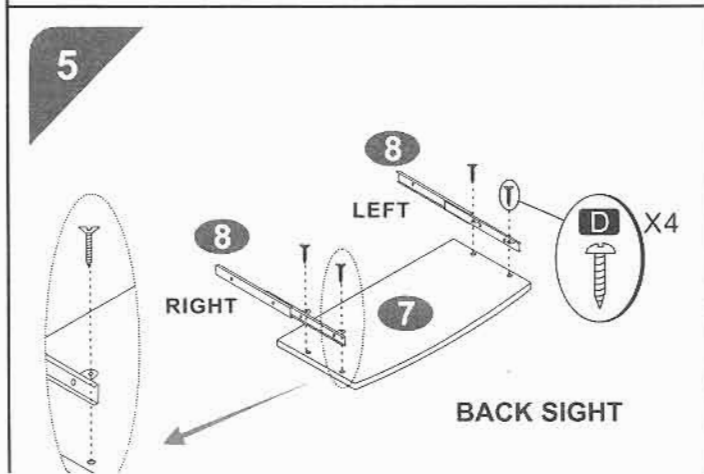
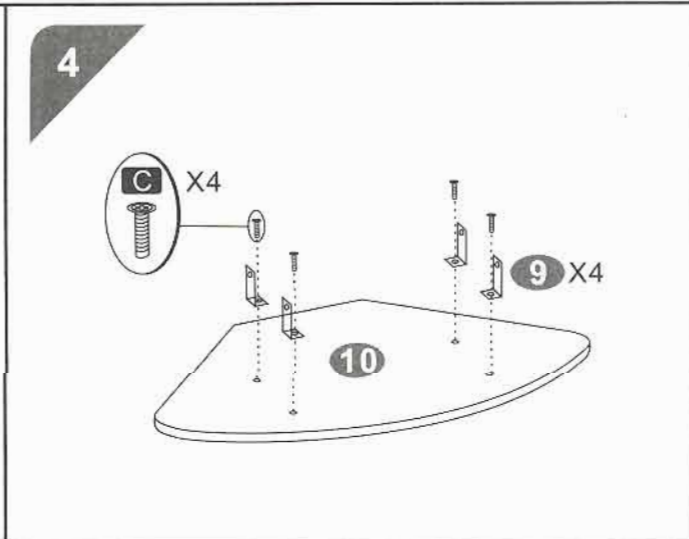
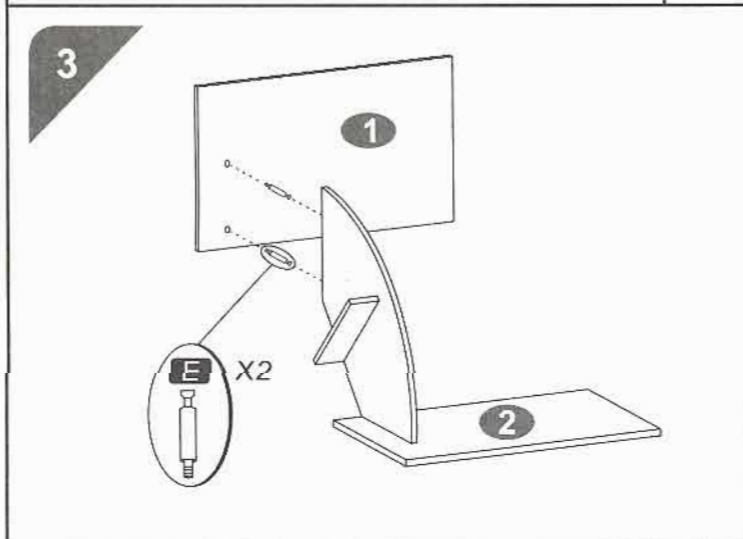
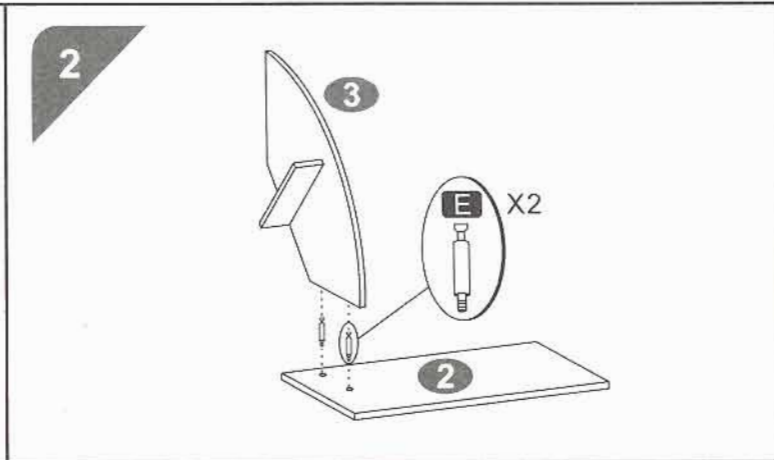
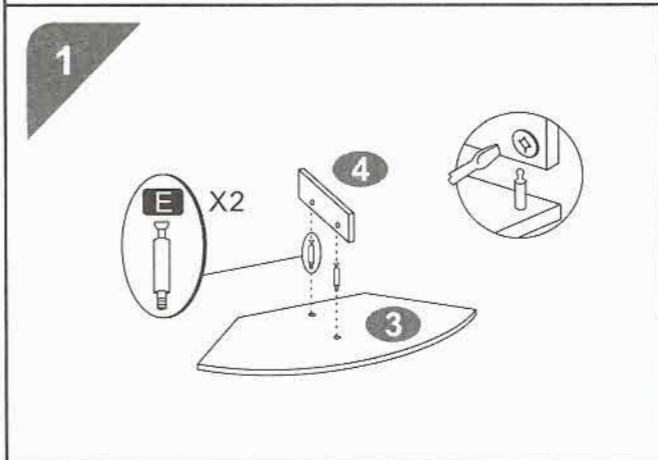
11



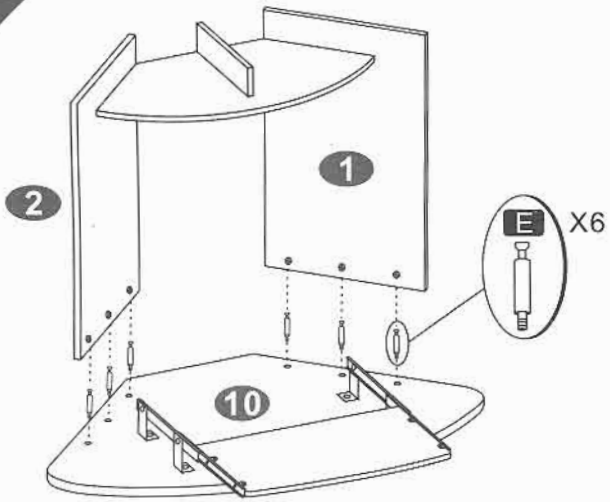
Holding Tubes for Monitor Panel

12

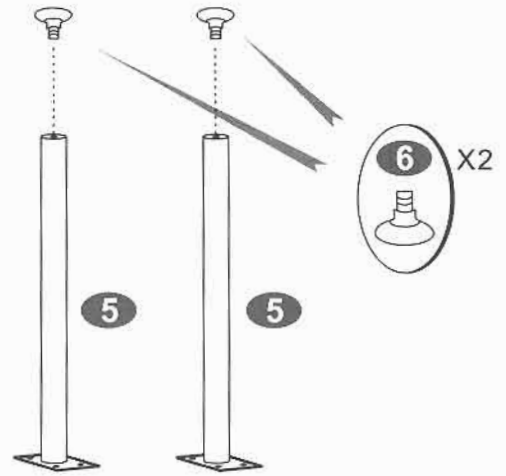
PART	QTY.	ITEM		PART	QTY.	ITEM	
<b>A</b>	4	6X25 MM		<b>E</b>	12	6X40 MM	
<b>B</b>	4	4X4 MM		<b>F</b>	4	6X35 MM	
<b>C</b>	4	6X12 MM			1		
<b>D</b>	12	4X14MM					



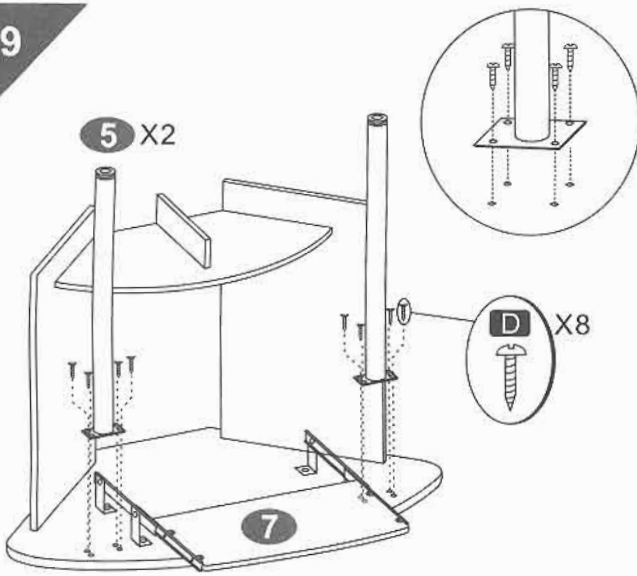
7



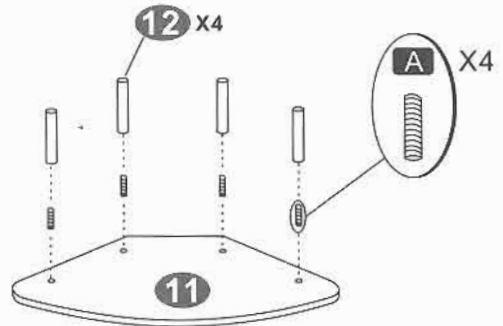
8



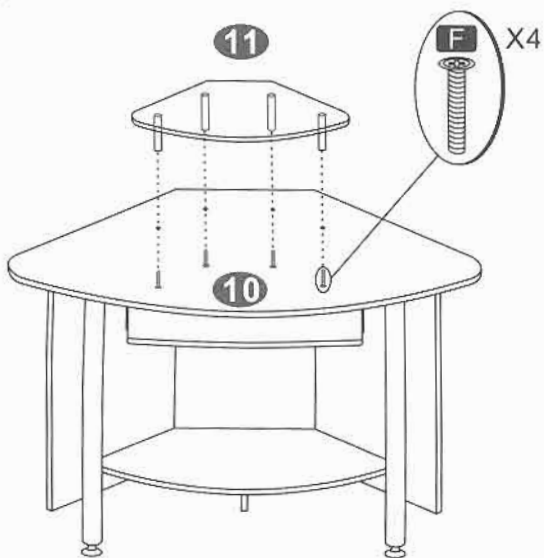
9



10



11



12

