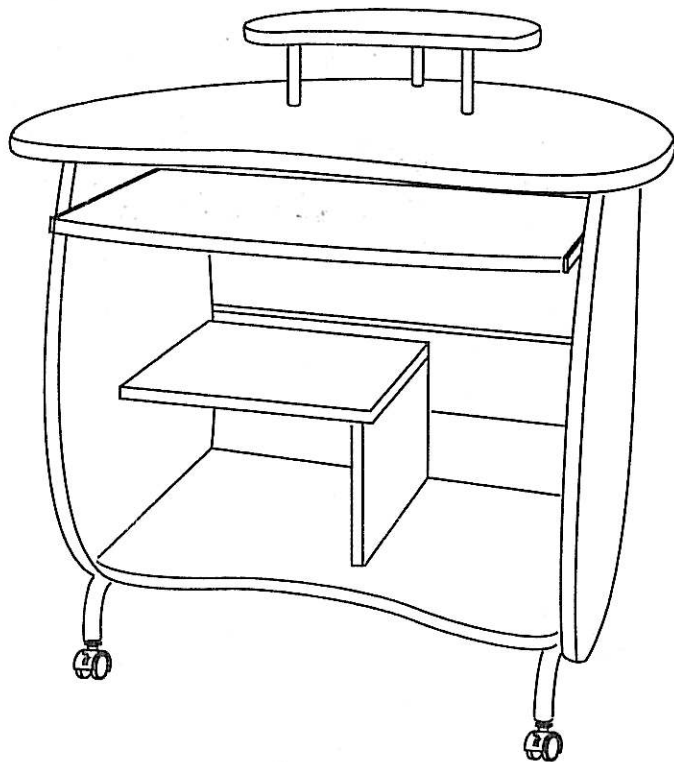


# ASSEMBLING INSTRUCTIONS

## MODEL RTA-Q203



**IMPORTANT:** Surfaces must be cleaned with a solution of a smooth soap and water, then cleared with a dry towel. Do not use solvents over surfaces or structural tubes.

MODEL RTA - Q203

In case of assistance please call our toll free customer service number 1866 RTA8262 or 1866 7828262

RTA PRODUCTS LLC

D01 060210

## STEPS:

**Step 1:** Insert the casters to the support tubes (4 & 5) Tight them with the wrench.

**Step 2:** Using screws A fix the lower left and right supports (4 & 5) to left and right panels (1 & 2)

**Step 3:** Assemble the Lower Panel (6) over the left and right supports (4 & 5), paying attention that the bolts at the back of the Lower Panel fit on the holes of the supports. Then fix them with screws (A).

**Step 4:** With screws (B) fix the Back Panel (7) to the lateral Panels (1 & 2)

**Step 5:** Insert the Vertical Panel (9) over the Horizontal Panel (10)

**Step 6:** Use Bolts C to fix the Horizontal Panel (10) to the Left Panel (1) and Screws B to fix the Vertical Panel (9) to the Lower Panel (6)

**Step 7:** Insert the Clam Bolts (C) at the back side of the Main Panel (8). Then assemble the Main Panel (8) to the lateral left and right panels (1 & 2), and tight the bolts at the inside face of the lateral panels.

**Step 8:** Using screws (F) fix the Tubes for Monitor panel (12) to the Monitor Panel (11)





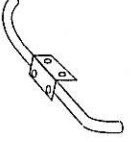



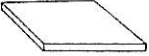
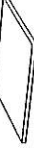

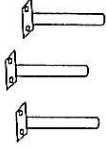



**Step 9:** With screws (E) assemble this unit to the Main Panel (8). Note that Screws (E) have been inserted to part 12 and have to be taken out when fixed to the Main Panel (8).

**Step 10:** Pull down the Black Plastic Button to separate both parts of Sliders (14)

**Step 11:** Use screws D fix the Part 14A to the Lateral Panels (1 & 2). Use Tornillos

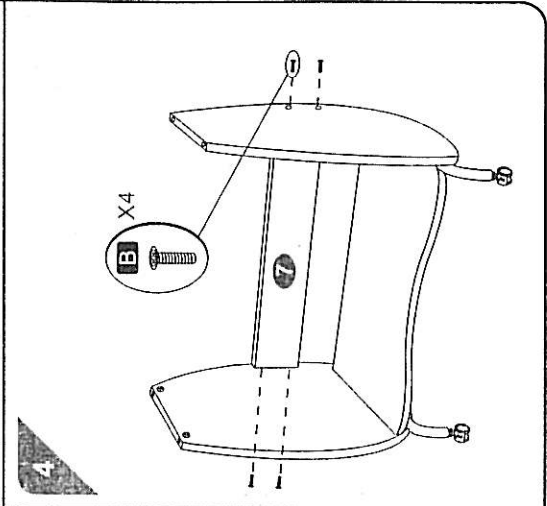
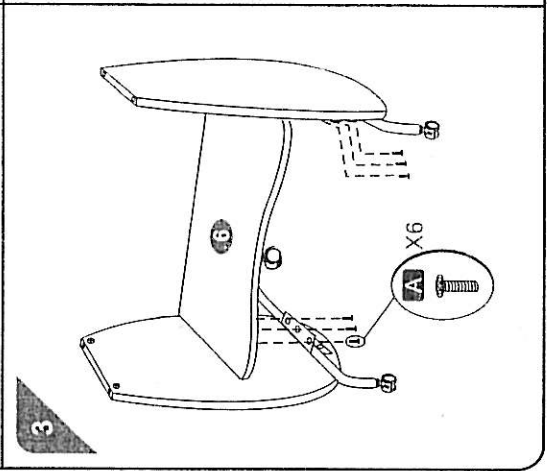
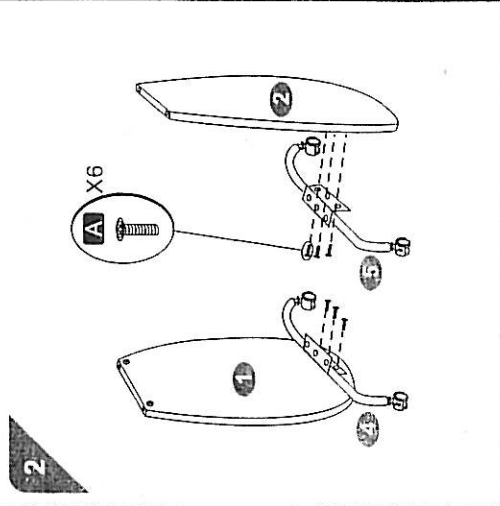
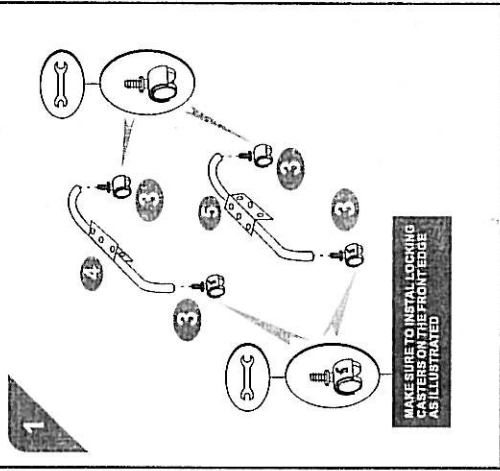
**Step 12/13:** Use screws F fix the Part 14B to the sides of the Keyboard Panel (13) and slide it in.

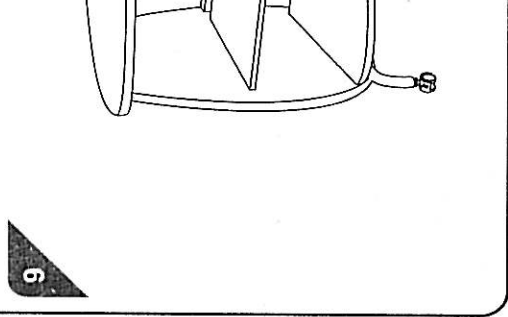
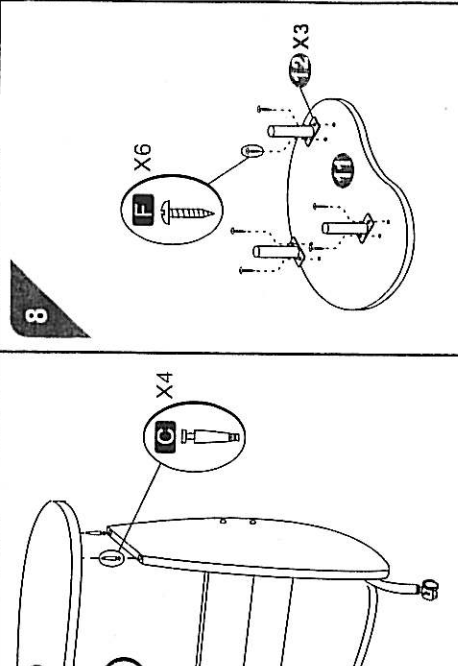
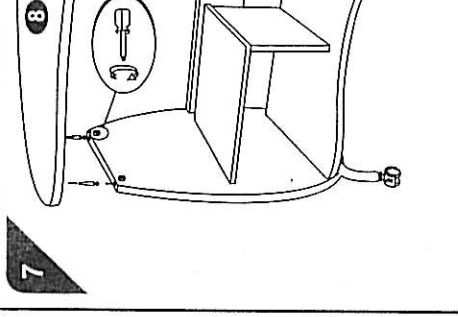
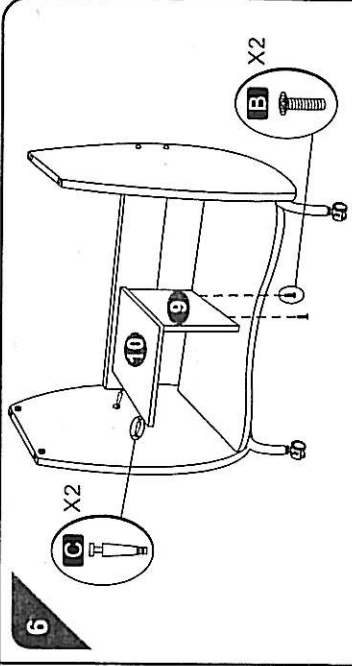
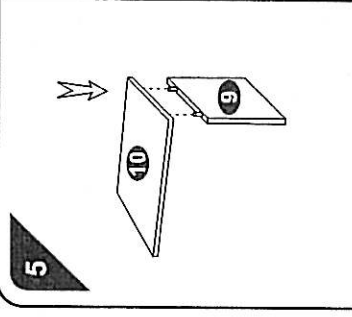
Thanks for purchase our product, please carefully read the assembly instruction before install the table (Attention: Do not tighten the screws before all screws are good fixed to Frame).

|  |                              |   |                            |   |                         |  |                                   |
|--|------------------------------|---|----------------------------|---|-------------------------|--|-----------------------------------|
|     | <b>LEFT PANEL 1</b>          |    | <b>RIGHT PANEL 2</b>       |    | <b>CASTERS 3</b>        |   | <b>LOWER LEFT SUPPORT 4</b>       |
|     | <b>LOWER RIGHT SUPPORT 5</b> |    | <b>LOWER PANEL 6</b>       |    | <b>BACK PANEL 7</b>     |   | <b>MAIN PANEL 8</b>               |
|    | <b>VERTICAL PANEL 9</b>      |  | <b>HORIZONTAL PANEL 10</b> |   | <b>MONITOR PANEL 11</b> |  | <b>TUBES FOR MONITOR PANEL 12</b> |
|  | <b>VERTICAL PANEL 13</b>     |  | <b>RIGHT SLIDERS 14</b>    |  | <b>LEFT SLIDERS 14</b>  |  |                                   |

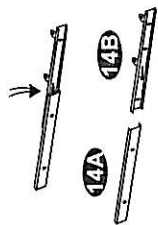
| PART     | QTY. | ITEM    |
|----------|------|---------|
| <b>A</b> | 12   | 6X12 MM |
| <b>B</b> | 6    | 6X50 MM |
| <b>C</b> | 6    | 6X40 MM |
| <b>D</b> | 4    | 3X15 MM |

| PART     | QTY. | ITEM          |
|----------|------|---------------|
| <b>E</b> | 3    | 6X25 MM       |
| <b>F</b> | 10   | 4X14 MM       |
|          | 1    | [Wrench]      |
|          | 1    | [Screwdriver] |



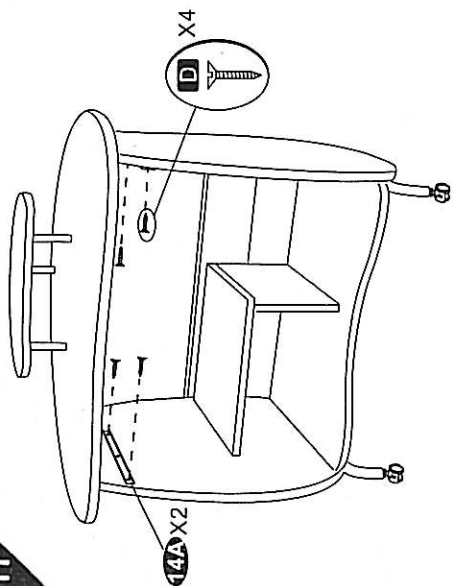


10

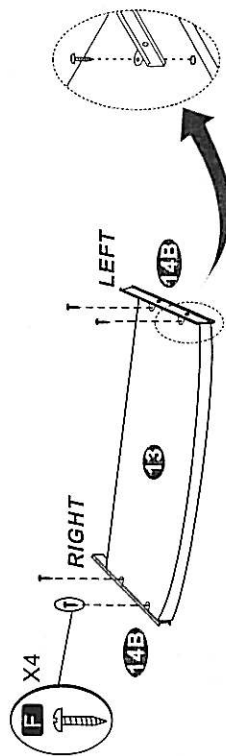


Pull down the black plastic to make A and B separate.

11



12



↳ BACK SIGHT

13

