

ASSEMBLING INSTRUCTIONS.

MODEL RTA-2350B.

1.	Using Screws D assemble the Back Panel (4) to the Main Structure (1). Insert the Casters with Lock at the front and the other two casters at the back. Then tight all of them with the tool that came with the screws.
2.	Using screws B, fix the Bottom Panel (5) to the Main Structure (1).
3.	Using screws B, assemble the Protector Tube for CPU (8) to the CPU Panel (10), then insert the Caster (3).
4.	Using two screws D and one screw I fix the CPU stand to Main Structure (1).
5.	Using screws E insert the Support Tubes (7) in the back face of the Main Panel (6).
6.	Assemble the Main Panel (6) over the Main Structure (1) and fix it with screws A.
7.	Using screws H fix the CD Tubes (2) to the Main Structure (1).
8.	Using screws C, fix the Protector Tube for Monitor (9) to the Main Panel (6).
9.	Using screws B, fix the Printer Panel (11) to the CD tubes (2), the using screws C, fix the Printer Protector Tube (12).
10.	Press the plastic black Button of the Sliders (13) so that each one is split in two parts (13 A and 13B).
11.	Using screws G fix the Slider parts (13B) to the Keyboard Panel (14).
12.	Using screws F fix the Slider parts (13A) to the Main Structure (1).
13.	Insert the Keyboard Panel (14) by the Sliders.



IMPORTANT: Surfaces must be cleaned with a solution of a smooth soap and water, then cleared with a dry towel. Do not use solvents over surfaces or structural tubes.

MODEL RTA - 2350B

In case of assistance please call our toll free customer service number 1866 RTA 8262 or (1866 782 8262) RTA PRODUCTS LLC

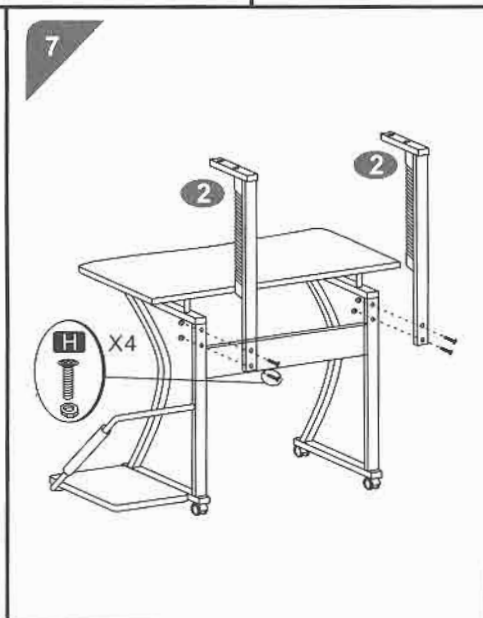
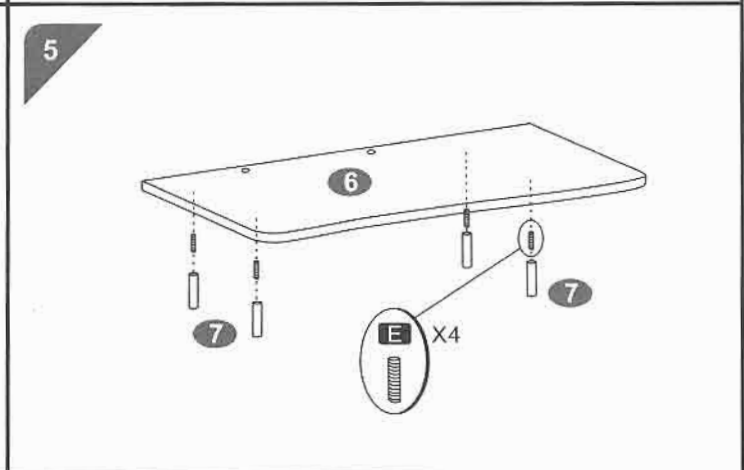
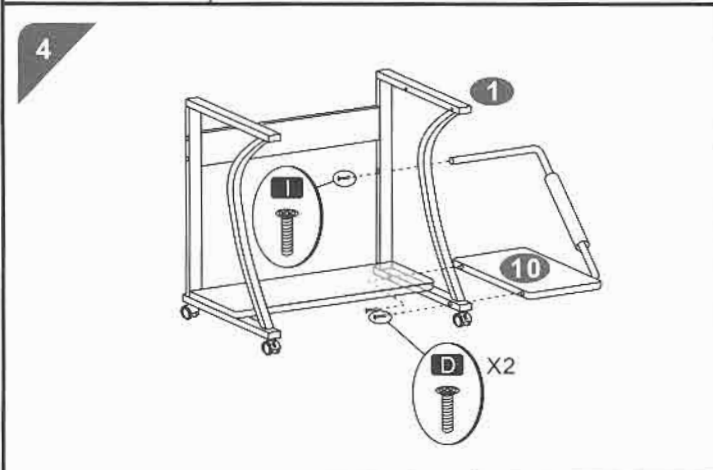
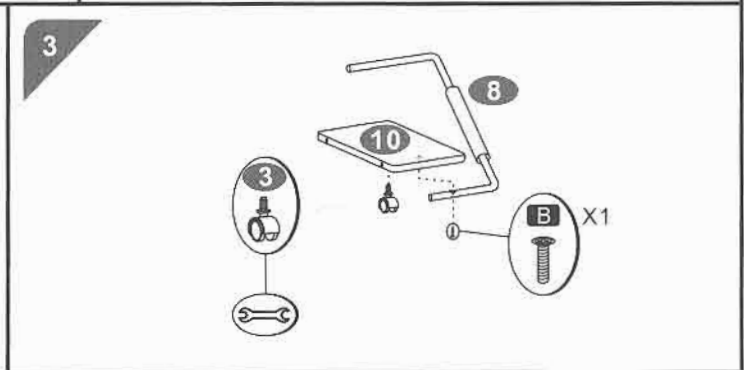
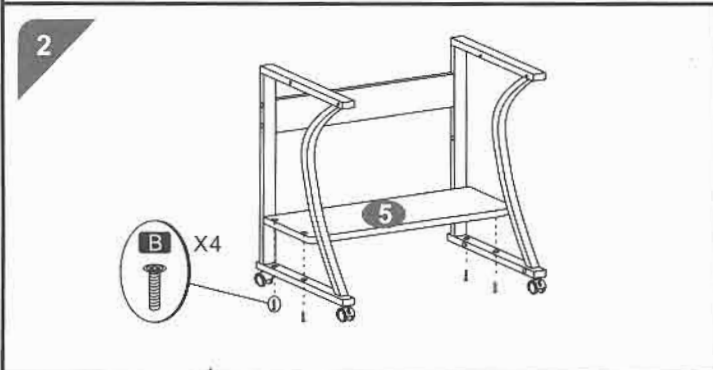
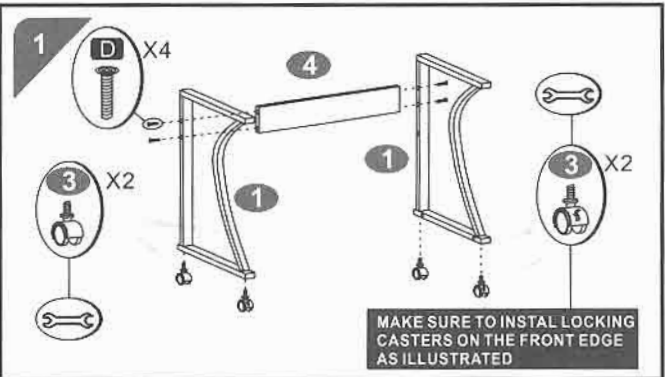


MULTI FUNCTIONS COMPUTER TABLE

MODEL: RTA-2350B

Thanks for purchasing our product, please read carefully the assembly before installing the table (Attention: Do not tighten the screws before the unit is assembled).

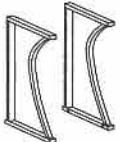












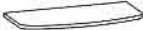
PART	QTY.	ITEM		PART	QTY.	ITEM	
A	4	6X35 MM		G	4	4X14 MM	
B	9	6X30 MM		H	4	6X50 MM	
C	4	6X25 MM		I	1	6X50 MM	
D	6	6X65 MM			1	WRENCH	
E	4	6X25 MM			1	SCREW DRIVER	
F	4	4X45 MM					





MULTI-FUNCTIONS COMPUTER TABLE MODEL: RTA-2350B

Thanks for purchasing our product, please read carefully the assembly before installing the table (Attention: Do not tighten the screws before the unit is assembled).

 <p>1 Main structure</p>	 <p>2 CD Tubes</p>	 <p>3 Caster</p>	 <p>4 Back Panel</p>	 <p>5 Bottom Panel</p>	 <p>6 Main Panel</p>	 <p>7 Support Tubes</p>
 <p>8 Protector Tube for CPU.</p>	 <p>9 Protector Tube for Monitor.</p>	 <p>10 CPU Panel</p>	 <p>11 Printer Panel</p>	 <p>12 Protector Tube for Printer</p>	 <p>13 Sliders</p>	 <p>14 Keyboard Panel</p>

